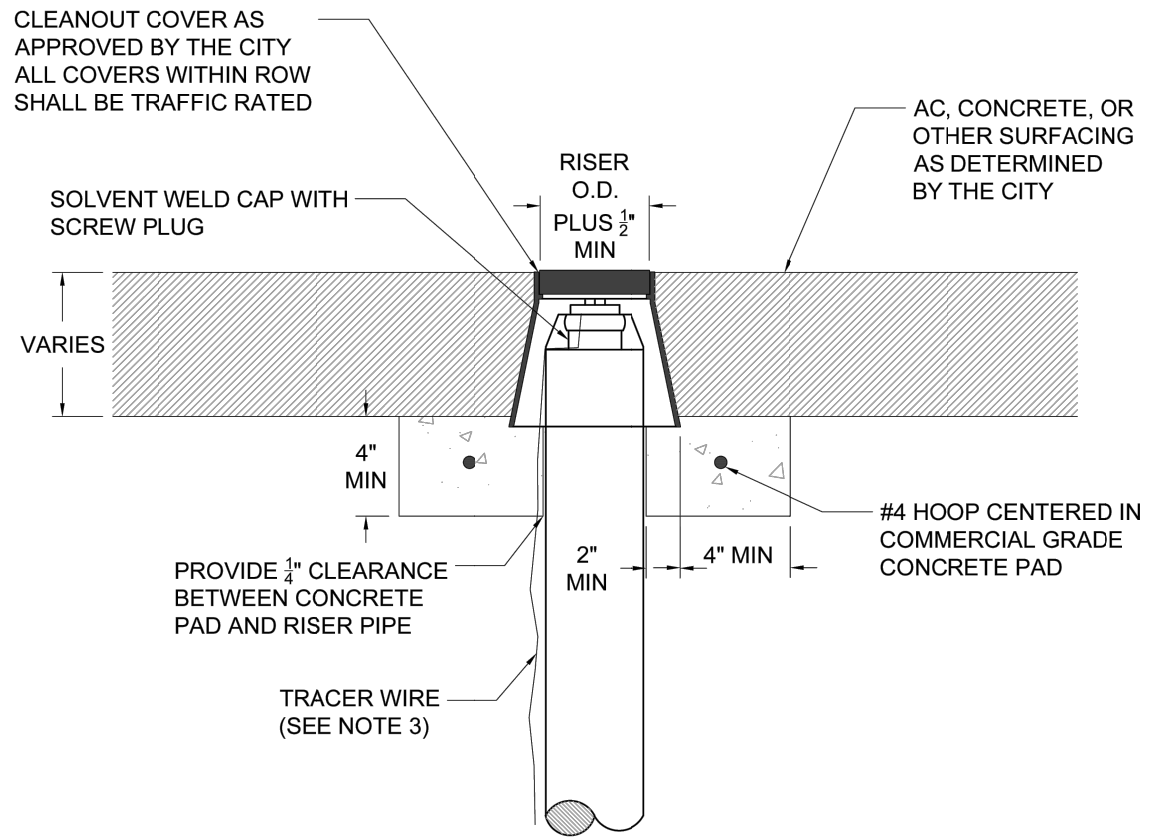


2-WAY CLEANOUT



CAST IRON FRAME

NOTES:

1. CASTING SHALL MEET H20 LOAD REQUIREMENT.
2. PROVIDE RISER SIZE AND MATERIAL TO MATCH CARRIER PIPE.
3. SEE STD DWG RD336-W FOR TRACER WIRE DETAILS.
4. ALL CONCRETE SHALL BE COMMERCIAL GRADE CONCRETE.



NOTES:
1. THIS DETAIL HAS BEEN MODIFIED BY THE CITY OF WINSTON. ALL MATERIAL AND WORKMANSHIP SHALL BE IN ACCORDANCE WITH THE CURRENT OREGON STANDARD SPECIFICATIONS.

WINSTON STANDARD DRAWING

SANITARY CLEANOUT