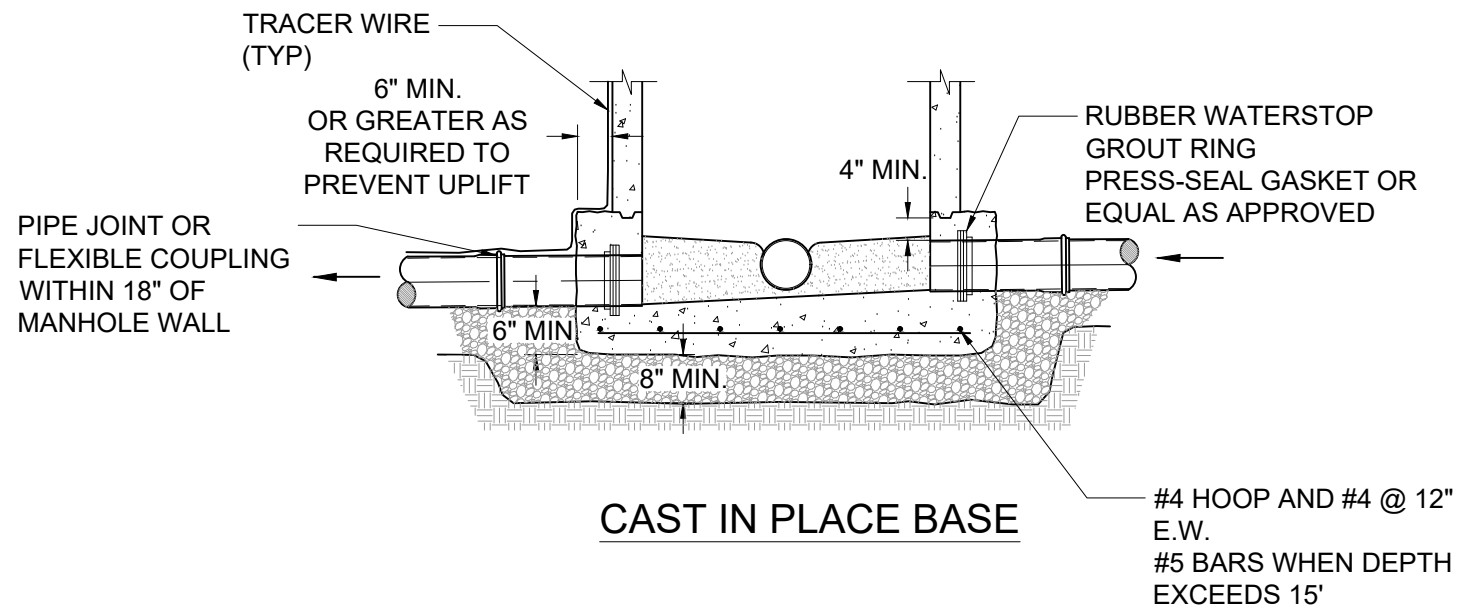


PRECAST OR CAST-IN-PLACE BASE AT CONTRACTOR'S OPTION OR AS DIRECTED.

ALL FIELD PLACED CONCRETE SHALL BE TYPE II PCC WITH 3000 PSI MIN STRENGTH.

MIN 0.2' INVERT DROP ACROSS INLET AND OUTLET PIPES.



NOTES:  
1. THIS DETAIL HAS BEEN MODIFIED BY THE CITY OF WINSTON. ALL MATERIAL AND WORKMANSHIP SHALL BE IN ACCORDANCE WITH THE CURRENT OREGON STANDARD SPECIFICATIONS.

WINSTON STANDARD DRAWING

STANDARD MANHOLE BASE