

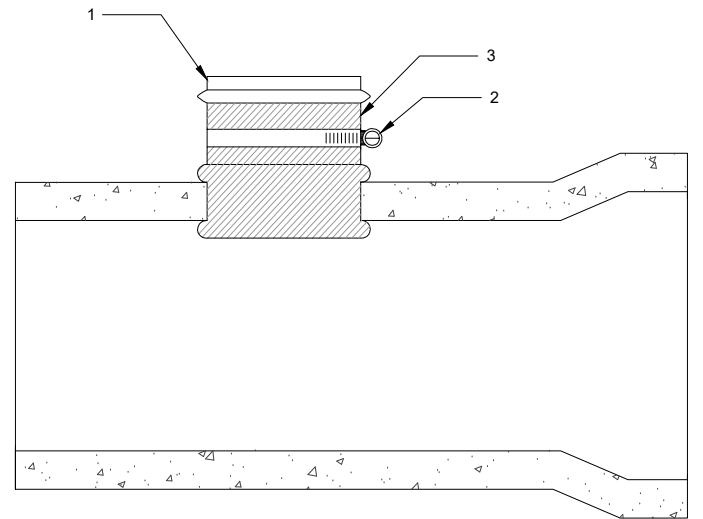
1. PVC HUB SHALL CONFORM TO ASTM 3034, SDR 35 DRIVE INTO CENTER OF RUBBER SLEEVE AFTER SLEEVE IS PLACED IN HOLE.
2. STAINLESS STEEL BAND SECURES UPPER HALF OF RUBBER SLEEVE TO THE PVC HUB. STAINLESS STEEL BAND SHALL BE 300 SERIES, $\frac{3}{16}$ " BAND WIDTH, CADMIUM PLATED CARBON STEEL, AND ATTACHED WITH HEX HEAD SLOTTED SCREW.
3. COMPLETE RUBBER SLEEVE INCLUDES A MOLDED SEGMENT THAT HOLDS IT IN PLACE.

NOTES:

1. ALL INSERTA-TEE HOLES SHALL BE MACHINE DRILLED AND CORED.
2. INSERTA-TEES ARE NOT ALLOWED IN NEWLY CONSTRUCTED SEWER MAINS WITH AN INSIDE DIAMETER (I.D.) OF 10 INCHES OR SMALLER. STANDARD GASKETED WYE SHALL BE USED.
3. SEWER MAIN SHALL BE TWO SIZES (NOMINAL I.D.) LARGER THAN THE INSERTA-TEE.

NOTES:

1. PIPE AND FITTINGS SHALL BE COMPATIBLE. ONLY MANUFACTURED FITTINGS SHALL BE USED.
2. MARKER POSTS AND BLOCKING SHALL BE TREATED WOOD. POST SHALL BE 2" x 4" FIR AND PAINTED GREEN.
3. LAY BUILDING SEWER AT MAX 45° FROM HORIZONTAL TO ACHIEVE REQUIRED DEPTH AT PROPERTY LINE WHEN MINIMUM SLOPE RESULTS IN EXCESSIVE DEPTH.
4. FOR BEDDING AND BACKFILL, SEE STD DWG RD300-W.
5. SEWER PIPE SIZE:
 - 5.1. 4" FOR SINGLE FAMILY DWELLINGS.
 - 5.2. 6" FOR MULTIPLE FAMILY DWELLINGS.
6. PIPE SHALL BE ASTM D3034 PVC WITHIN CITY RIGHT OF WAY. PIPE INSIDE PRIVATE PROPERTY LINES SHALL CONFORM TO THE CURRENT OREGON PLUMBING SPECIALTY CODE.
7. CONTRACTOR OR OWNER SHALL BE RESPONSIBLE FOR LOCATING AND PROTECTING ALL EXISTING UTILITIES.
8. CONTRACTOR OR OWNER SHALL GIVE PUBLIC WORKS AT LEAST 4 HOURS NOTICE AFTER INSTALLATION OF PIPE AND APPURTENANCES AND BEFORE BACKFILL IS PLACED TO ACCOMMODATE INSPECTION. PHONE 541-679-6114 BETWEEN 8 AM AND 4 PM MONDAY THRU FRIDAY.
9. FOR STEP SYSTEMS, REFER TO "LOW PRESSURE SEWER CONSTRUCTION STANDARDS" PROVIDED ON THE CITY'S WEBSITE AT WWW.WINSTONCITY.ORG
10. NO GRIPPER PLUGS WILL BE ALLOWED. SOLVENT WELD (GLUE ON) CONNECTION WITH SCREW CAP.
11. CONTRACTOR SHALL CONFIRM PROPER MAINLINE FOR CONNECTION PRIOR TO FINALIZING CONNECTION.



NOTES:

1. THIS DETAIL HAS BEEN MODIFIED BY THE CITY OF WINSTON. ALL MATERIAL AND WORKMANSHIP SHALL BE IN ACCORDANCE WITH THE CURRENT OREGON STANDARD SPECIFICATIONS.



WINSTON STANDARD DRAWING

SANITARY SEWER SERVICE CONNECTION