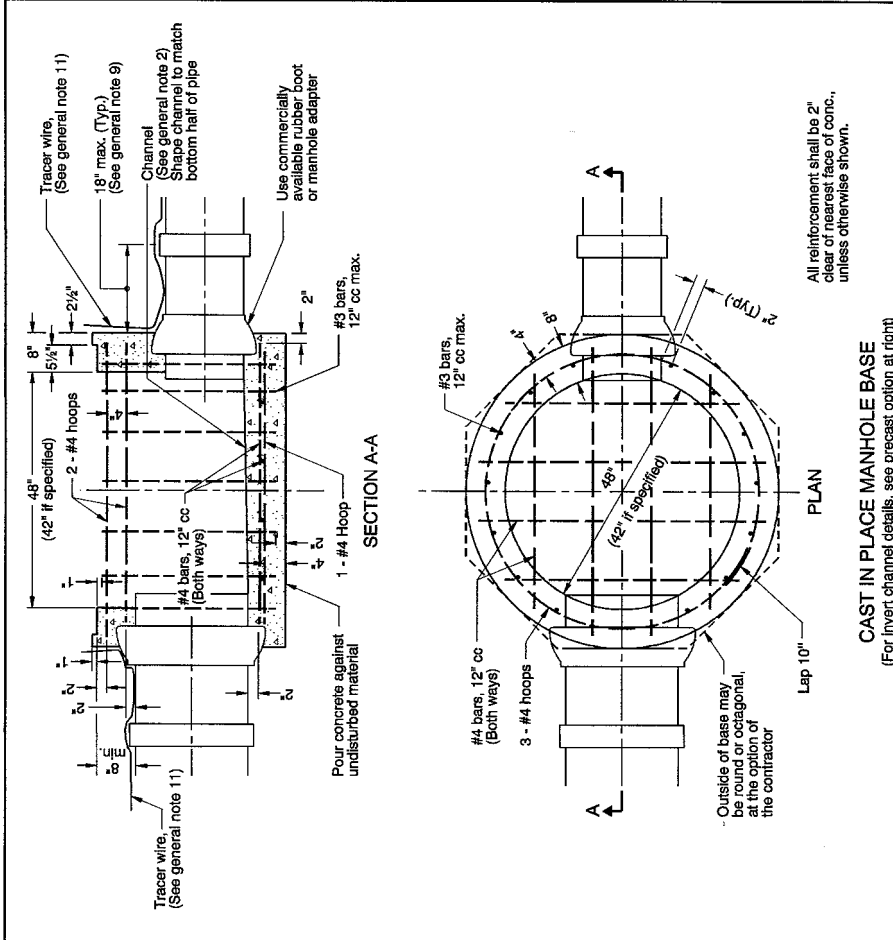


PRECAST MANHOLE BASE



CAST IN PLACE MANHOLE BASE
(For invert channel details, see precast option at right)

<p>GENERAL NOTES FOR ALL DETAILS:</p> <ol style="list-style-type: none"> All concrete shall be commercial grade concrete. Channels shall be constructed to provide smooth slopes and radii to outlet pipe. Bases may be precast or cast in place. This manhole base section shall be used for pipe sizes up to 24". Use on 42" and 48" diameter manhole. Extend pipe into manhole and grout smooth. Pipe(s) may extend 2' max. beyond the interior manhole wall. 	<p>BASELINE REPORT DATE: 01-JUL-2010</p> <p>NOTE: All material and workmanship shall be in accordance with the current Oregon Standard Specifications</p>
	<p>OREGON STANDARD DRAWINGS</p> <p>STANDARD MANHOLE BASE SECTION</p> <p>2008</p> <p>DATE: 07/01/08</p> <p>REVISED NUMBER: _____</p> <p>REVISION DESCRIPTION: _____</p>
<p>The selection and use of this Standard Drawing, while designed in accordance with generally accepted engineering principles and practices, is the sole responsibility of the user and should not be used without consulting a Registered Professional Engineer.</p>	<p>CALC. BOOK NO.: N/A</p>

Effective Date: June 1, 2011 - November 30, 2011

RD344