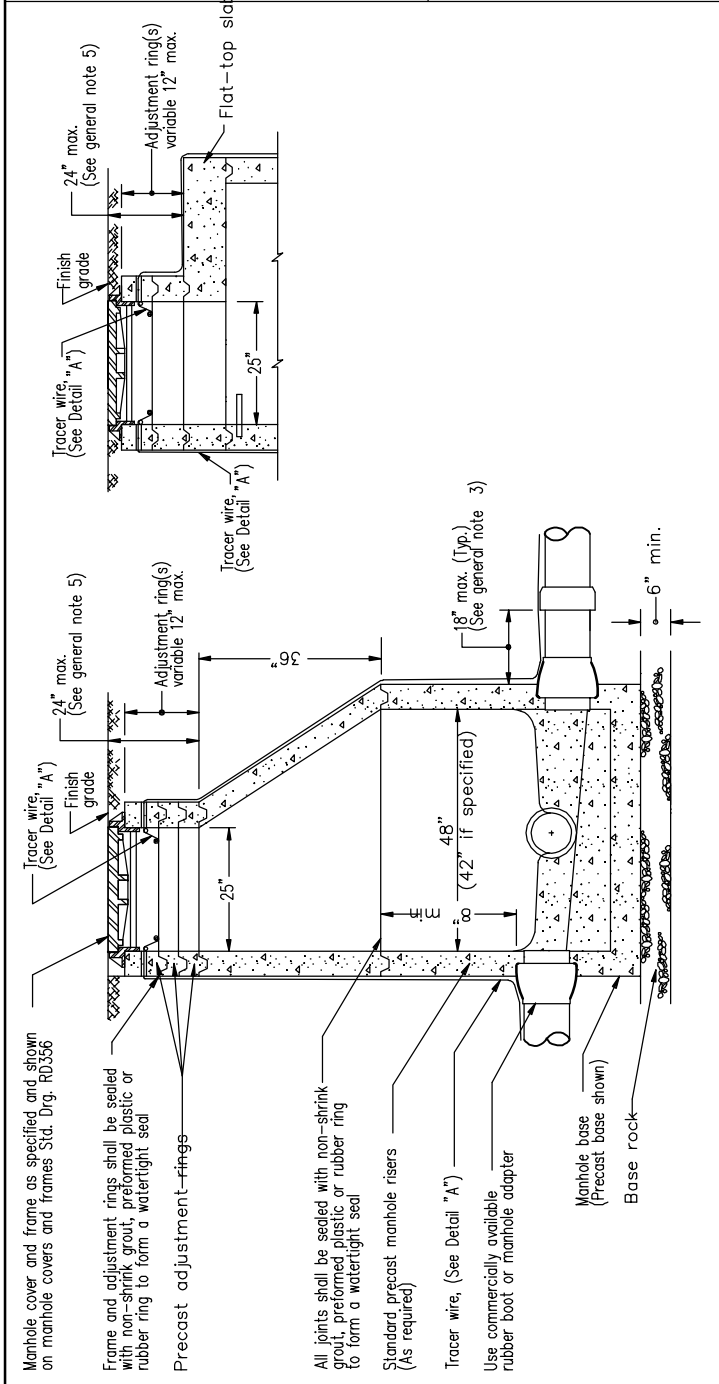


GENERAL NOTES FOR ALL DETAILS:

1. All precast sections shall conform to requirements of ASTM C478.
2. Standard precast manhole section diameter shall be 48". Use 42" if specified by the Engineer. Maximum pipe diameter 24".
3. All connecting pipes shall have a flexible, gasketed and unrestrained joint within 18" of manhole wall.
4. See Std. Drg. RD344 for manhole base section.
5. Adjust 24" maximum.
6. All connecting pipes shall have a tracer wire, or approved alternate.
7. Ladder with notched safety rail and removable extension is reqd. for manholes with depths between 24'-0" and 50'-0".



DELETED

DETAIL "C"
CONE OR FLAT-TOP SLAB
AND MANHOLE STEPS ORIENTATION

NOTE: This detail has been modified by the City of Winston. All material and workmanship shall be in accordance with the current Oregon Standard Specifications.

WINSTON STANDARD DRAWINGS
STANDARD
STORM SEWER MANHOLE

