

NOTE: Coat outside of frame with asphalt, where frame is to be placed in conc. pvtl., conc. gutter, or walk.

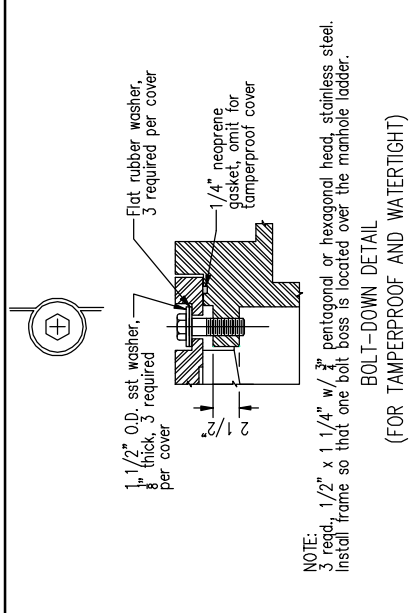
Cover & frame to be machined to a true bearing all around.

36" min. diameter cover is reqd. for manholes with depths of 20' or greater. (See general note 4)

MANHOLE FRAME

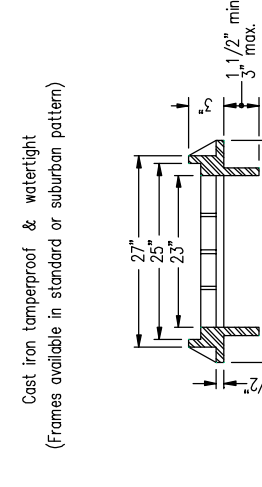
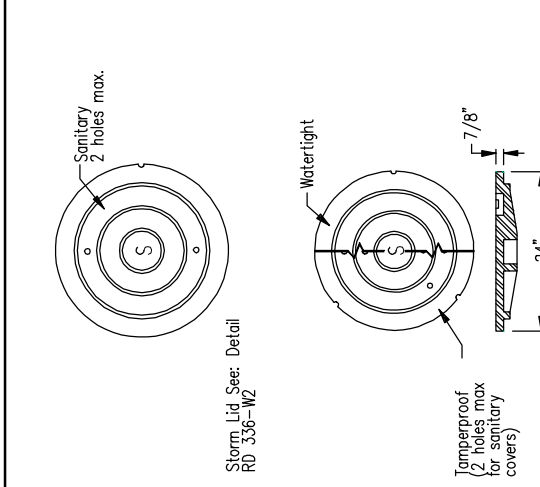
(DELETED)

MANHOLE GRATE



(DELETED)

MANHOLE ADJUSTMENT RING



SUBURBAN MANHOLE COVER & FRAME

**GENERAL NOTES FOR ALL DETAILS:**

1. Tamperproof covers reqd. on sanitary or storm drain manhole where located in pedestrian ways or easement areas. Covers for sanitary manholes shall have 2 holes maximum.
2. Watertight covers required if located where cover may be submerged. (no holes)
3. Covers and frames shall be stamped with manufacturer's initials, heat number and point of origin.
4. Ladder with notched safety rail and removable extension is reqd. for manholes with depths between 24'-0" and 50'-0"
5. See Std. Drg. RD360 for manhole frame adjustment.
6. See 000T's QPL for alternate manhole adjustment rings.

NOTE: All material and workmanship shall be in accordance with the current Oregon Standard Specifications

MANHOLE COVERS AND FRAMES

RD356-W